



EKC2-1811

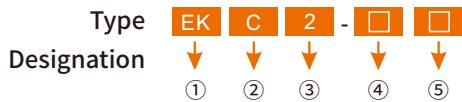


EKC2-2511

Technical Data

Description	Application	Remote making & breaking circuits Protect circuit from over-load when assembling with thermal over-load relay Frequent start-up and control of AC contactor
	Electric value	AC50/60Hz, 690V, up to 95A
	Utilization category	AC-3, AC-4
	Altitude	≤2000m
	Ambient temperature	-5°C~+40°C
	Mounting category	III
	Mounting conditions	Inclination between the mounting plane and the vertical plane should not exceed ±5°
	Standard	IEC/EN 60947-4-1, IEC/EN 60947-5-1

AC Coil Operation	Volts(VAC)	24	36	42	48	110	127	220	230	240	380	415	440	480	500	600	
	Code	B5	C5	D5	E5	F5	G5	M5	P5	U5	Q5	N5	R5	-	S5	Y5	
		60Hz	B6	-	D6	E6	F6	G6	M6	-	U6	Q6	-	R6	T6	-	-
		50/60Hz	B7	-	D7	E7	F7	-	M7	P7	-	Q7	N7	R7	-	-	-



①	Company code
②	Contactor
③	Design sequence NO.
④	Basic specification, expressed with the rated operational current (380V/400V, AC3)
⑤	Number of contacts 11: 3NO main contacts+1NO and 1NC auxiliary contact (9A,12A,18A,25A,32A,38A,40A,50A,65A,80A,95A)



EKC2-4011



EKC2-8011

Technical Data

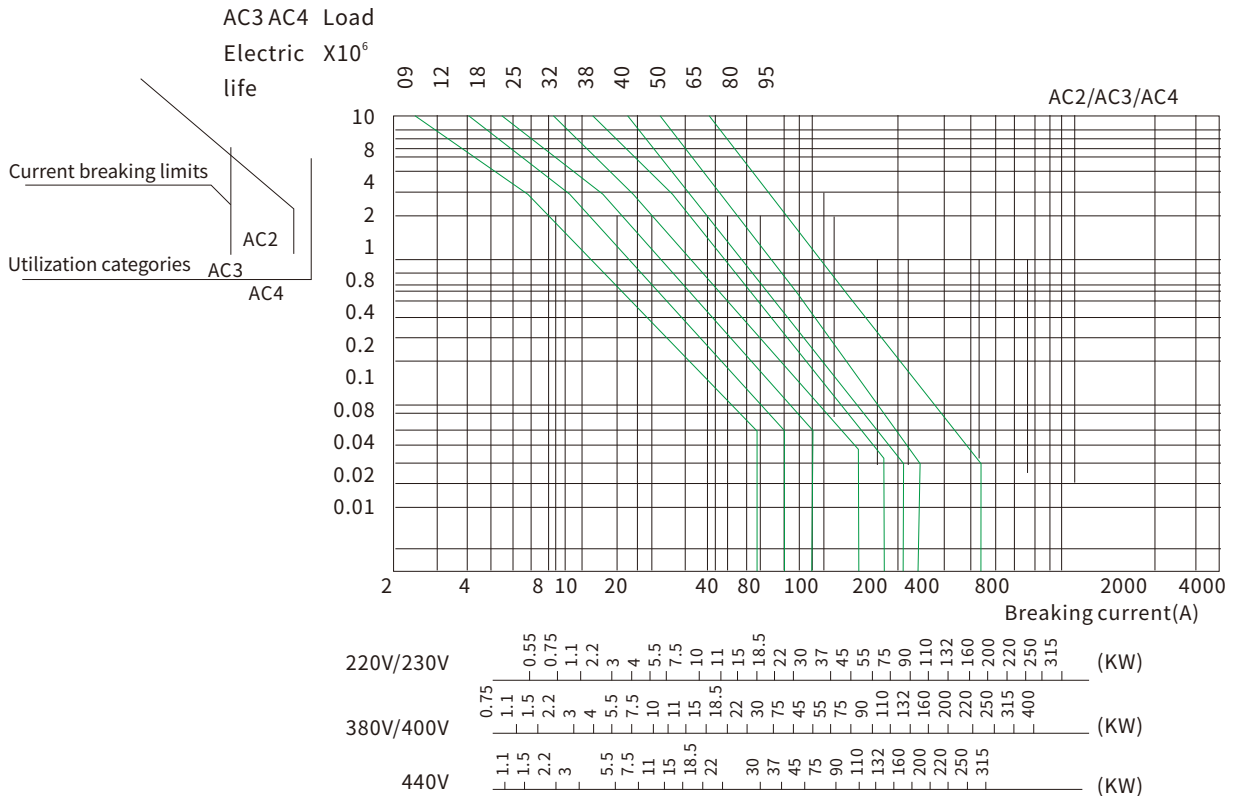
Technical Specification	Standard	IEC/EN60947-4-1 IEC/EN60947-5-1					
		Model No.	EKC2-09	EKC2-12	EKC2-18	EKC2-25	EKC2-32
Poles		3P					
Rated conventional Heating current (A)	Ith	20	20	32	40	50	50
Rated voltage (V)	Ui	690	690	690	690	690	690
Rated operation current (A) Ue=380/415V	AC-3	9	12	18	25	32	38
	AC-4	3.5	5	7.7	8.5	12	14
Power controlled 3ph cage motor AC-3 (KW)	220/240V	2.2	3	4	5.5	7.5	8.9
	380/415V	4	5.5	7.5	11	15	18.5
	660/690V	5.5	7.5	10	15	18.5	18.5
Electrial life(x10 ³ operations)	AC-3	1100	1100	1100	1100	900	900
	AC-4	220	220	220	220	220	220
Mechanical life(x10 ⁶ operations)		12	12	12	10	10	10
Matched fuse	Size	RT16-00	RT16-00	RT16-00	RT16-00	RT16-00	RT16-00
	A	20					
Main contacts		3NO					
Auxiliary contacts		1NO + 1NC					

Technical Specification	Standard	IEC/EN60947-4-1 IEC/EN60947-5-1				
		Model No.	EKC2-40	EKC2-50	EKC2-65	EKC2-80
Poles		3P				
Rated conventional Heating current (A)	Ith	60	80	80	100	125
Rated voltage (V)	Ui	690	690	690	690	690
Rated operation current (A) Ue=380/415V	AC-3	40	50	65	80	95
	AC-4	18.5	24	28	37	44
Power controlled 3ph cage motor AC-3 (KW)	220/240V	11	15	18.5	22	25
	380/415V	18.5	22	30	37	45
	660/690V	30	33	37	45	45
Electrial life(x10 ³ operations)	AC-3	900	900	900	650	650
	AC-4	170	170	170	110	110
Mechanical life(x10 ⁶ operations)		9	9	9	6.5	6.5
Matched fuse	Size	RT16-00	RT16-00	RT16-00	RT16-00	RT16-00
	A	63	80	80	100	125
Main contacts		3NO				
Auxiliary contacts		1NO + 1NC				

Technical information

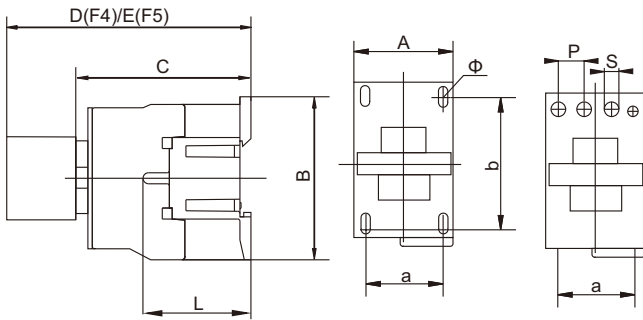
Terminal Connection	Model	Cabling cross section(Cu)			Screw size	Tightening torque(N.m)
		Number of piece	Flexible cable with cold-pressed socket(mm ²)	Flexible cable without cold-pressed socket(mm ²)		
	EKC2-09	1~2	2.5	4	4	M3.5 0.8
	EKC2-12	1~2	2.5	4	4	M3.5 0.8
	EKC2-18	1~2	4	6	6	M3.5 0.8
	EKC2-25	1	4	10	6	M4 1.2
		2	4	6	6	M4 1.2
	EKC2-32	1	4	10	6	M4 1.2
		2	4	6	6	M4 1.2
	EKC2-38	1	4	10	6	M4 1.2
		2	4	6	6	M4 1.2
	EKC2-40	1	10	16	10	M4 3.5
		2	10	10	10	M8 3.5
	EKC2-50	1	16	25	25	M8 3.5
		2	16	16	-	M8 3.5
	EKC2-65	1	16	25	25	M8 3.5
		2	16	16	-	M8 3.5
	EKC2-80	1	50	50	50	M8 3.5
		2	25	35	-	M10 4.0
	EKC2-95	1	50	50	50	M10 4.0
		2	25	35	-	M10 4.0

Curve

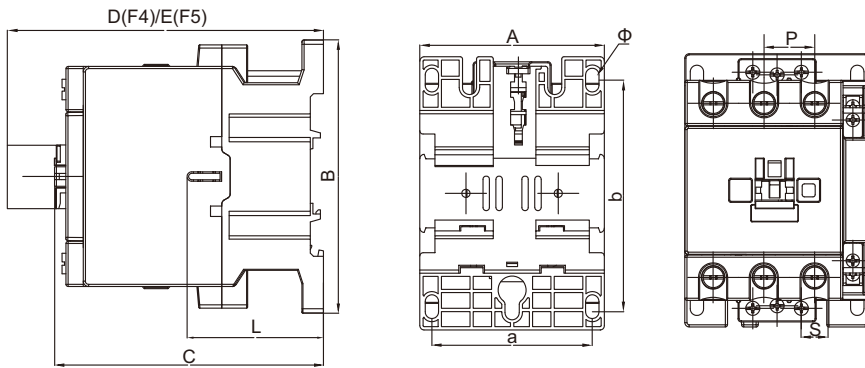
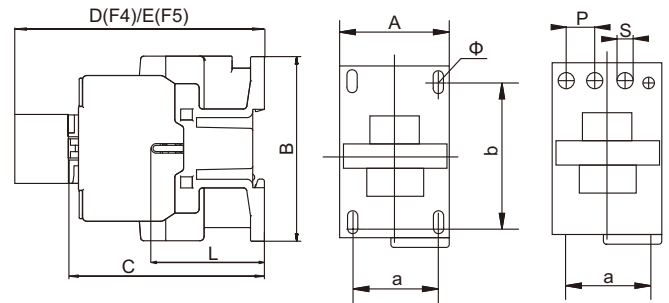


Overall and Mounting Dimension(mm)

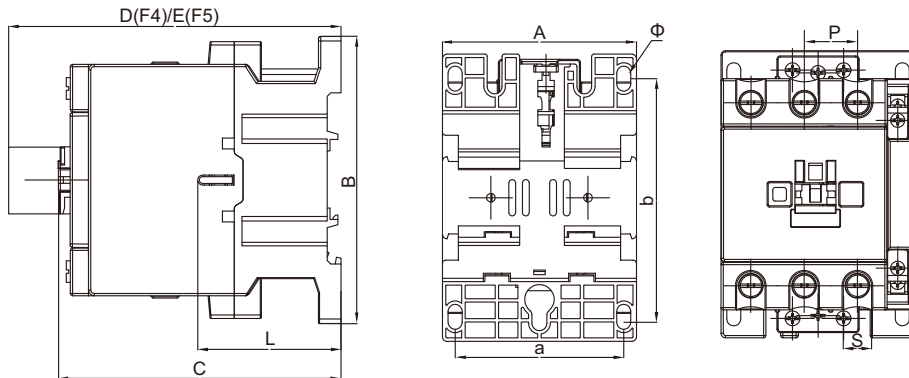
EKC2-09~18



EKC2-25~32



EKC2-40~65



EKC2-80~95

Model	A Max	B Max	C Max	D Max	E Max	a	b	φ	L	P	S
EKC2-09~18	45	74.5	87	120	124	34.5	50/60	4.5	51	11	10.5
EKC2-25~32	56	87	98.6	132	136	40	61.5	4.5	59.3	14.2	13
EKC2-40~65	75	127	118	151.1	155	63.5	105	6.0	63.2	20	14
EKC2-80~95	86	126.5	126.5	158.5	162.5	74.5	105	6.0	63.2	23.5	17.5